

MASERATI-TD

- MODEL : MR-PAS-180418

- DATE : 2020.07.27



GU ELECTRONIC

Index

1. Main Spec
2. Block Diagram
3. Dimension
4. External Appearance
5. Connector Pin Assignment
6. Product Composition
7. DIP S/W Setting
8. Mode Change
9. Touch Control
10. OSD(On Screen Display) Control
11. Install Manual
12. Q & A

1. Main Spec.

1. Input Spec. (MULTI VIDEO INTERFACE)

- 1 x Digital RGB Input (Navigation System source)
- 1 x Analog RGB Input (Navigation System output)
- 1 x CVBS(REAR CAMERA) Input. (Rear camera source)
- 1 x CVBS(FRONT CAMERA) Input. (Front camera source)
- 1 x LVDS Input. (Car Command System)

2. Output Spec.

- 1 x Vertical Analog Touch (Navigation System source)
- 1 x Uart Digital Touch (Navigation System source)
- 1 x LVDS Output (LCD Operation)

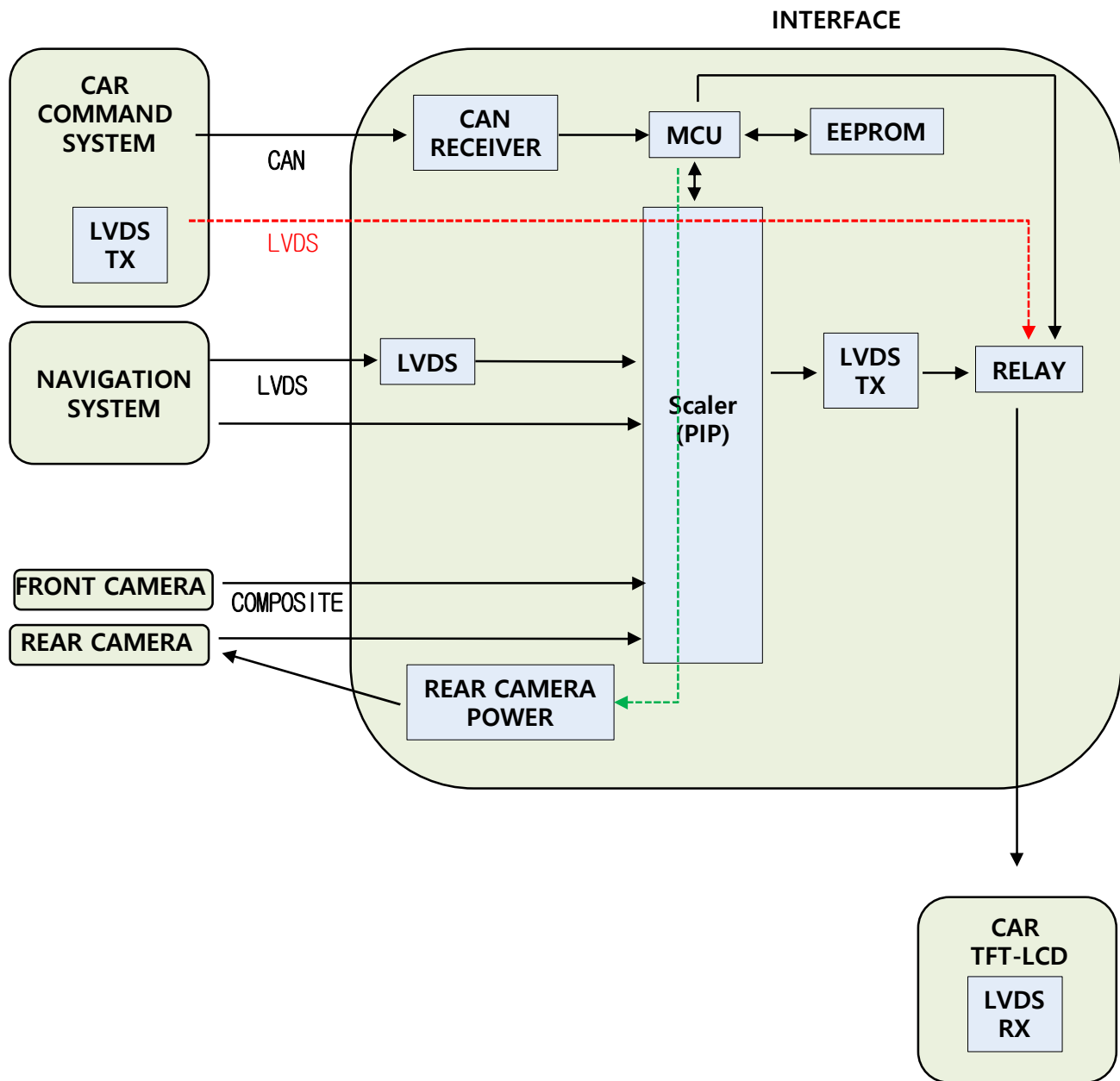
3. Power Spec.

- Input Power : 8VDC ~ 24VDC
- Consumption Power : 12Watt, Max

4. Switch Input mode

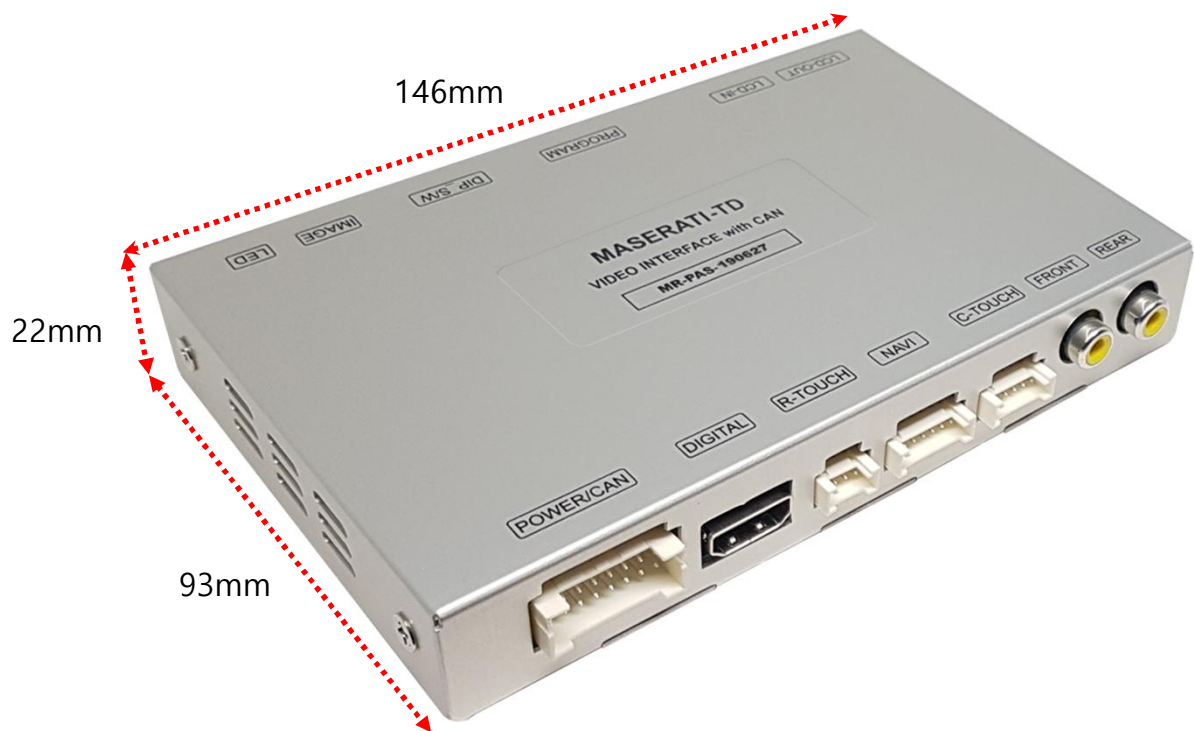
- Possible to switch input mode through original button
- Possible to switch input mode through provided touch film(option)
- Possible to switch input mode through "HOME" button on screen

2. Block Diagram



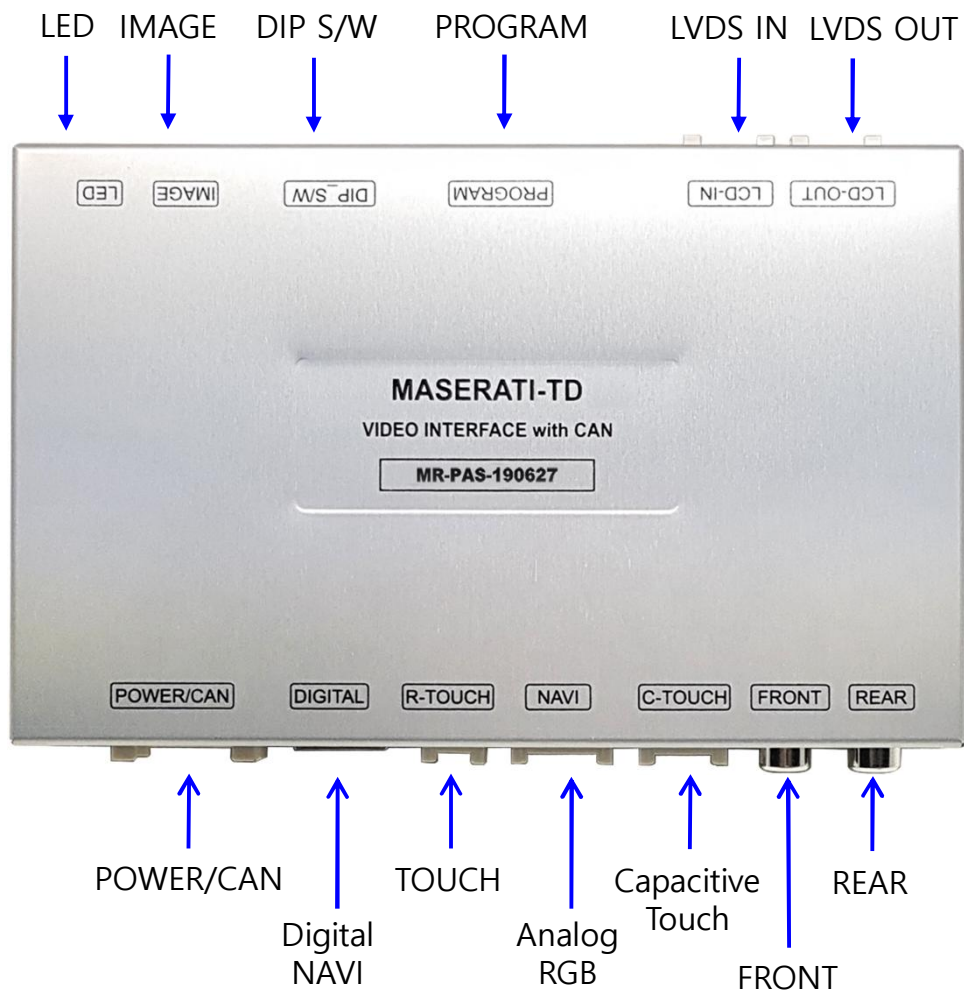
3. Dimension

146mm * 93mm * 21mm

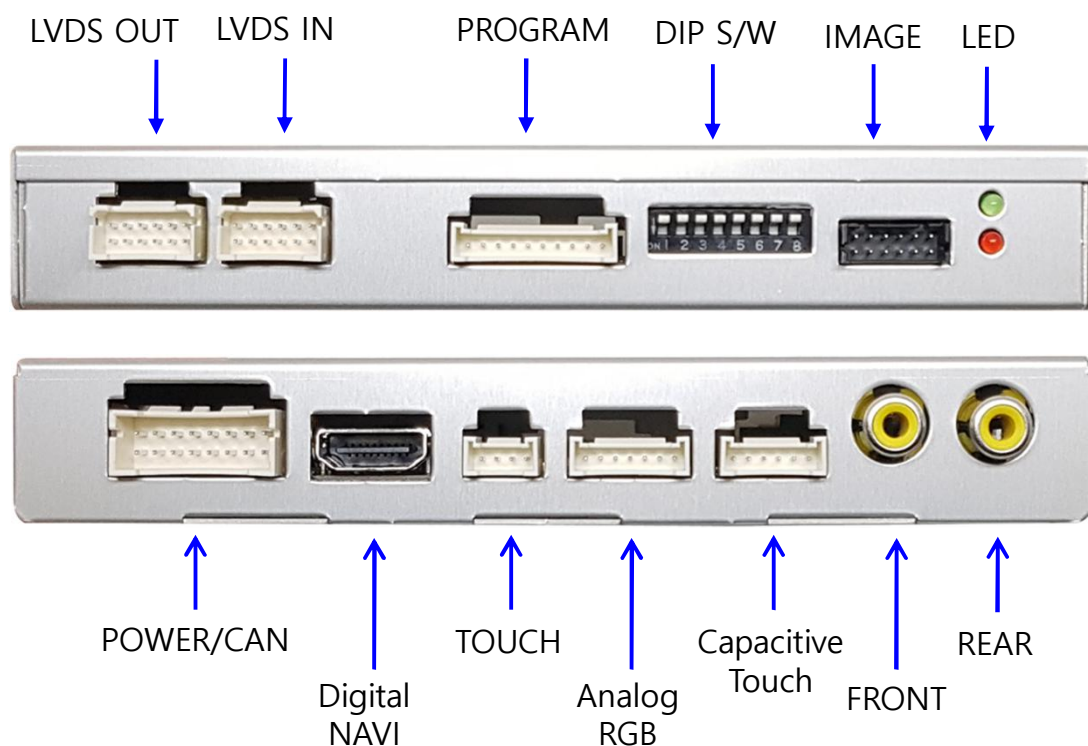


* This can change under manufacturer's circumstance

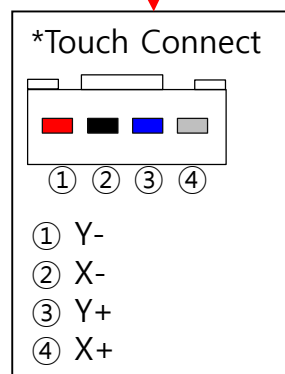
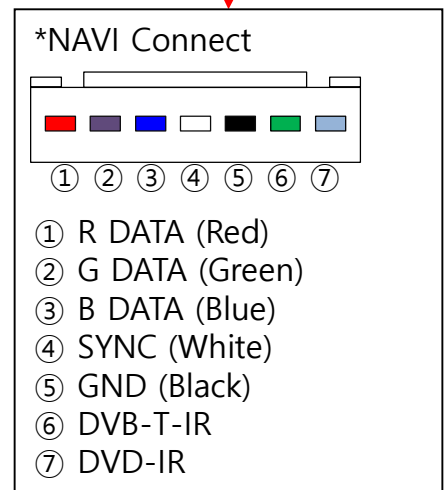
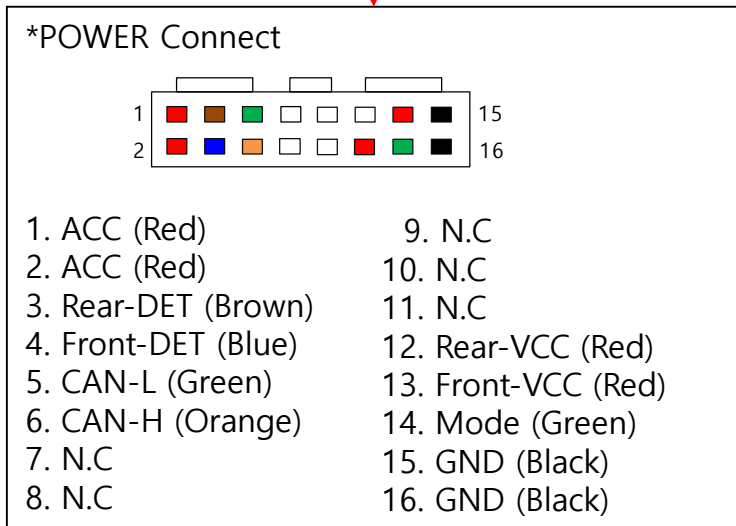
4. External Appearance



4. External Appearance



5. Connector Pin Assignment



6. Product Composition



Interface 1 EA



OSD Board 1 EA



LVDS CONNTOR 1 EA



Power Cable 1 EA



LVDS-OUT Cable 1 EA



Touch 변환 Cable(KD-900) 1 EA



LVDS-IN Cable 1 EA



RGB NAVI Cable 1 EA



Mode S/W 1 EA

6. Product Composition

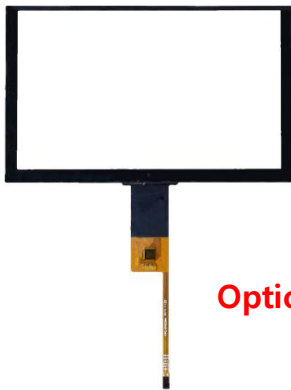
* Touch Set Sales(option)



Option : Touch Cable



Option : TOUCH Board



Option : 7.0 inch
Capacitive
Touch Screen

6. Product Composition

* CarPlay Set Sales(option) – KPLAY



Interface 1 EA



AUX Cable 1 EA



Power Cable 1 EA



HDMI Cable 1 EA



Bluetooth / Wifi Antenna 2EA



Microphone 1 EA

6. Product Composition

* CarPlay(NV17) Set Sales(option)



CarPlay Main 1 EA



AUX Cable 1 EA



Power Cable 1 EA



HDMI Cable 1 EA



Microphone 1 EA

7. DIP S/W Setting

* ON : DOWN , OFF : UP

PIN	FUNCTION	DIP S/W Selection
1	NAVI	ON : Not Used OFF : Used
2	DVB-T(AV1)	ON : Not Used OFF : Used
3	DVD(AV2)	ON : Not Used OFF : Used
4	N.C	
5	N.C	
6	CAR type SEL	Right Picture
7		
8		

* DIP S/W Example



Quattroporte 2009~2013
GranTurismo 2009



GranTurismo MC

8. Mode Change

Steering Wheel Button Control



MENU	SteeringWheelBtn	NAVI
Config	SteeringWheelBtn	On Off
Option	Gesture	On
Image	UI DVB-T(DMB)	On
Screen	UI DVD	On
OSD	Reset	Execute Cancel

mode change : 1's press



DVB-T mode channel up
Carplay mode Track up

DVB-T mode channel down
Carplay mode Track down

8. Mode Change

Touch screen - Gesture

MENU	Gesture	NAVI	
Config	SteeringWheelBtn	On	
Option	Gesture	On	Off
Image	UI DVB-T(DMB)	On	
Screen	UI DVD	On	
OSD	Reset	Execute	Cancel



Sliding the screen from right to left for switching mode



Sliding the screen from left to right for switching mode



8. Mode Change

Touch screen – Home Icon

MENU	HomeIcon		DVD
Config	FrontCam-Det	ExtWire	
Option	HomeIcon	On Off	
Image	RearCam-RcvOpt	<input type="checkbox"/> Os	
Screen	AV Out	USER	
Parking	Reset	Execute Cancel	

To use the home icon, it must be ON in the OSD menu.



On the interface screen, press the return icon on the right UI screen to switch the OEM screen.

9. Touch Control

Touch control - Calibration

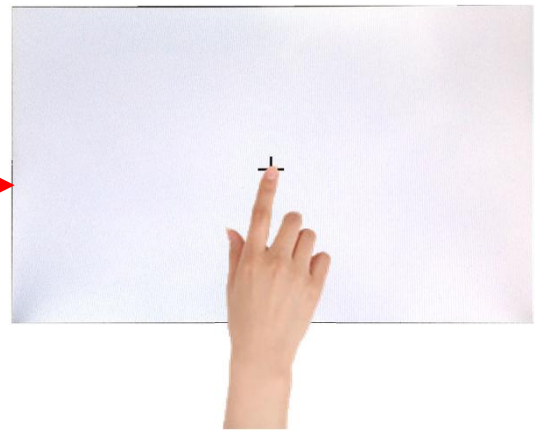


Press and hold for more than 11 seconds on NAVI, DVB-T, DVD screen.
(Note that it only works the first time after switching screens)

OR

MENU	Calibration	NAVI
OSD	Factory Reset	Execute Cancel
IR-Ctrl	Calibration	Execute Cancel
Utility	Version	FDSHOOKRX-180112

OSD menu -> Utility -> Calibration



+ Touch according to the shape coordinates.

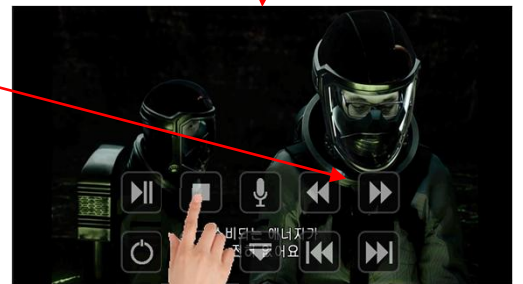
9. Touch Control

DVB-T/DVD Control

DVB-T



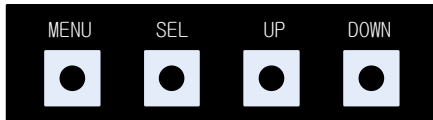
DVD



Press Icon

10. OSD(On Screen Display) Control

OSD control



MENU	Press to display when there is no OSD screen. When OSD screen is on, press it to EXIT or OFF.
SEL	Item Selection, Value Selection
UP	Item up Increase selected value
DOWN	Item down Decrease selected value

Mode State

MENU	Option		NAVI
Config	RearCam-Type	ExtDevice	
Option	RearCam-Power	Auto	
Image	RearCam-Det	GEAR	
Screen	AV Mode	Off	
Parking	FrontCam-Type	ExtDevice	

First Menu Second Menu Third Menu

10. OSD(On Screen Display) Control

OSD Config

First Menu	Second Menu	Third Menu	Description
Config	NAVI-RGB	DIGITAL-INAVI :	Setting the Connected NAVI Model
	DVB-T(DMB)	ELT_DVBT20 :	Setting the Connected DVB-T Model
	DVD	ELT_980XU Slim :	Setting the Connected DVD Model
	Reset	Execute	Reset to default value of Config menu

MENU	Config	NAVI
Config	NAVI-RGB	DIGITAL-INAVI
Option	DVB-T(DMB)	ELT_DVBT20
Image	DVD	ELT-980XU Slim
Screen	Reset	Execute Cancel
Parking		

10. OSD(On Screen Display) Control

OSD - Option Menu

First Menu	Second Menu	Third Menu	Description
Option	NAVI COM	HMS FINE :	To use UART Touch, select a navigation manufacturer.
		OFF	Do not use features.
	RearCam-Type	OEM	Original Camera
		ExtDevice	Equipped with external camera
	RearCam-Power	ON	+ 12V continuous supply
		AUTO	+ 12V supply only in Rear camera mode
		OFF	+ 12V off
	RearCam-Det	CAN	Detected by CAN
		WIRE	Detected by Rear-Det Wire
	AV Mode	ON	Use "REAR" video input port as VIDEOE input.
		OFF	Do not use features.
	FrontCam-Type	OEM	Original Camera
		ExtDevice	Equipped with external camera
	FrontCam-Power	ON	+ 12V continuous supply
		AUTO	+ 12V supply only in Front camera mode
		OFF	+ 12V off
	FrontCam-Det	GEAR	Detected by CAN
		WIRE	Detected by Front-Det Wire
	FrontCam-RcvOpt	ON	After RearCam shows FrontCam and returns to previous state
		OFF	Disable feature

10. OSD(On Screen Display) Control

OSD - Option Menu

First Menu	Second Menu	Third Menu	Description
Option	Homelcon	ON	Use the home icon feature.
		OFF	Disable feature
	StreeingWheelBtn	ON	Use the Streeing Wheel Button.
		OFF	Disable feature
	Gesture	ON	Use the Gesture feature of Capacitive Touch.
		OFF	Disable feature
	UI DVB-T (DMB)	ON	DVB-T device control UI output function
		OFF	Disable feature
	UI DVD	ON	DVD device control UI output function
		OFF	Disable feature
	3D-COMB-REAR	ON	It shows the image quality of the rear camera screen better.
		OFF	Disable feature
	Reset	Execute	Option Menu all Reset

10. OSD(On Screen Display) Control

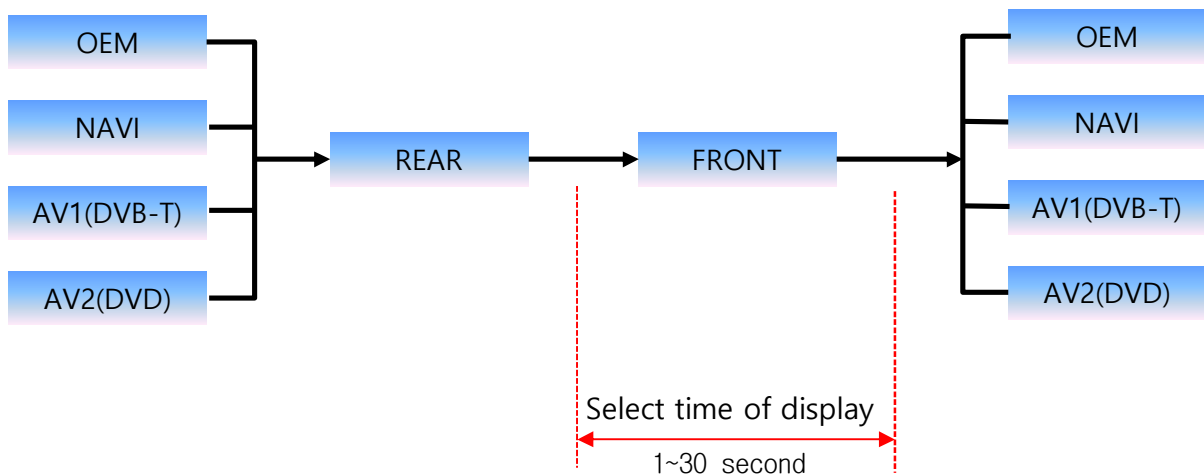
OSD Option -> FrontCam-RcvOpt

Front Camera Auto Mode

0 second = FrontCam-RcvOpt menu OFF

1~30 second = FrontCam-RcvOpt menu ON & time control

MENU	FrontCam-RcvOpt	NAVI	MENU	FrontCam-RcvOpt	NAVI
Config	FrontCam-Power	Auto	Config	FrontCam-Power	Auto
Option	FrontCam-Det	ExtWire	Option	FrontCam-Det	ExtWire
Image	FrontCam-RcvOpt	0s	Image	FrontCam-RcvOpt	30s
Screen	Steering Wheel	Voice	Screen	Steering Wheel	Voice
Parking	Reset	Execute Cancel	Parking	Reset	Execute Cancel



10. OSD(On Screen Display) Control

NAVI-RGB menu

First Menu	Second Menu	Third Menu	Action
Image	Brightness		Adjust the value of brightness
	Contrast		Adjust the value of contrast
	Color-RED		Adjust the value of RED
	Color-GREEN		Adjust the value of GREEN
	Color-BLUE		Adjust the value of BLUE
	Reset	Excute	Option Menu all Reset

DVD,DVB-T(DMB),NAVI-AV,REAR,FRONT menu

First Menu	Second Menu	Third Menu	Action
Image	Brightness		Adjust the value of brightness
	Contrast		Adjust the value of contrast
	Saturation		Adjust the value of Saturation
	Hue		Adjust the value of Hue
	Sharpness		Adjust the value of Sharpness
	Reset	Excute	Option Menu all Reset



<< Brightness >>



<< Contrast >>



<< Saturation >>



10. OSD(On Screen Display) Control

OSD – Screen Menu

First Menu	Second Menu	Third Menu	Description
Screen	Horizontal		Output screen horizontal movement
	Vertical		Output screen vertical movement
	Scale X Up		Reduce / increase output screen width
	Scale X Down		
	Scale Y Up		Reduce / Increase Output Screen Height
	Scale Y Down		
	Reset		Screen menu all reset

MENU	Horizontal	NAVI
Config	Horizontal	50
Option	Vertical	50
Image	Scale X Up	50
Screen	Scale X Down	50
Parking	Scale Y Up	50

10. OSD(On Screen Display) Control

OSD – Parking Menu

- This model does not support the Parking Menu, OPS (PDC) Display, and Parking Line Display functions.

10. OSD(On Screen Display) Control

OSD – OSD Menu

First Menu	Second Menu	Third Menu	Description
OSD	Horizontal	<i>value</i>	OSD Menu Horizontal Shift
	Vertical	<i>value</i>	OSD menu vertical Shift
	Display Time	<i>value</i>	OSD Menu Display Time (in seconds)
	Transparency	<i>value</i>	OSD menu transparency
	Language		OSD menu display language
	Reset	Execute	Initialize OSD settings

MENU	Horizontal	DVB-T
OSD	Horizontal	50
IR-Ctrl	Vertical	50
Utility	Display Time	10s
	Transparency	30
	Language	English

MENU	Reset	DVB-T
OSD	Reset	Execute Cancel
IR-Ctrl		
Utility		

10. OSD(On Screen Display) Control


OSD – IR learning function



* In order to work with the IR learning function, a separate IR cable is required.


MENU	IR-Ctrl / DVB-T(DMB)	NAVI
OSD	DVB-T(DMB)	Sel Learn Cancel
IR-Ctrl	DVD	Sys
Utility		

1. In DVB-T / DVD menu, select User in Sys (OSD list) or User (learned contents).
2. Select Learn from the OSD menu.



MENU	IR-Ctrl / DVB-T(DMB)	NAVI
OSD	All-Clear	
IR-Ctrl	POWER	-----
Utility	SCAN	-----
	CH+	-----
	CH-	-----

3. Before using IR learning function, select All-Clear to delete existing stored data.



MENU	IR-Ctrl / DVB-T(DMB)	DVB-T
OSD	New Code: -----	
IR-Ctrl	Cfm Code: -----	
Utility		
	Save	Clr Cancel

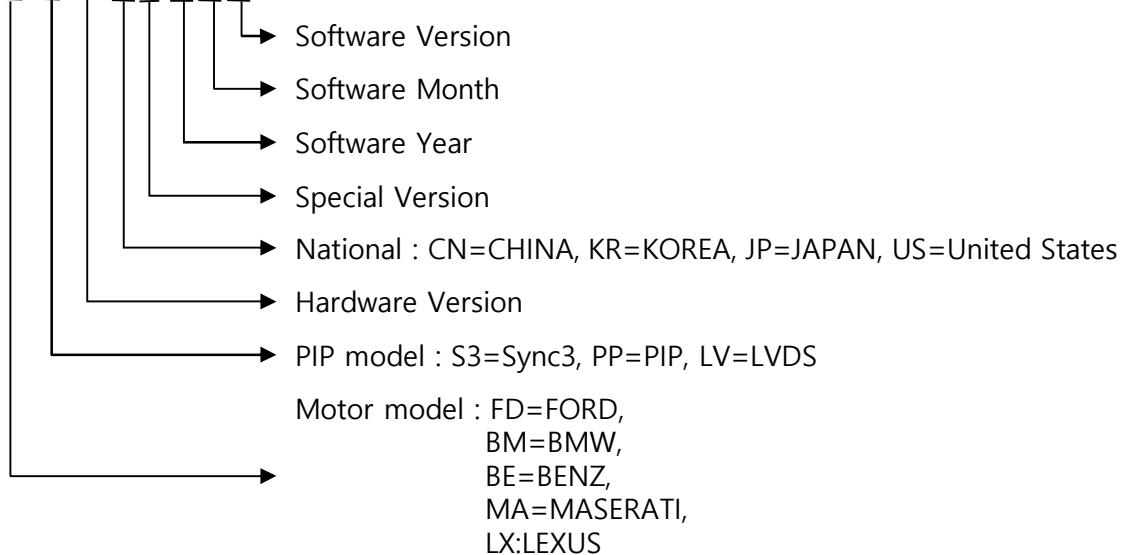
4. Press the remote control button to be used in each ICON once in New Code, press once again in Cfm Code to confirm it is the same and save it.

10. OSD(On Screen Display) Control

OSD – Utility Menu

First Menu	Second Menu	Third Menu	Description
Utility	Factory Reset	Execute	Initialize all settings
	Calibration	Execute	Calibration mode Execute
	Version		FDSYOOKRX-180209 (Check for future upgrades)

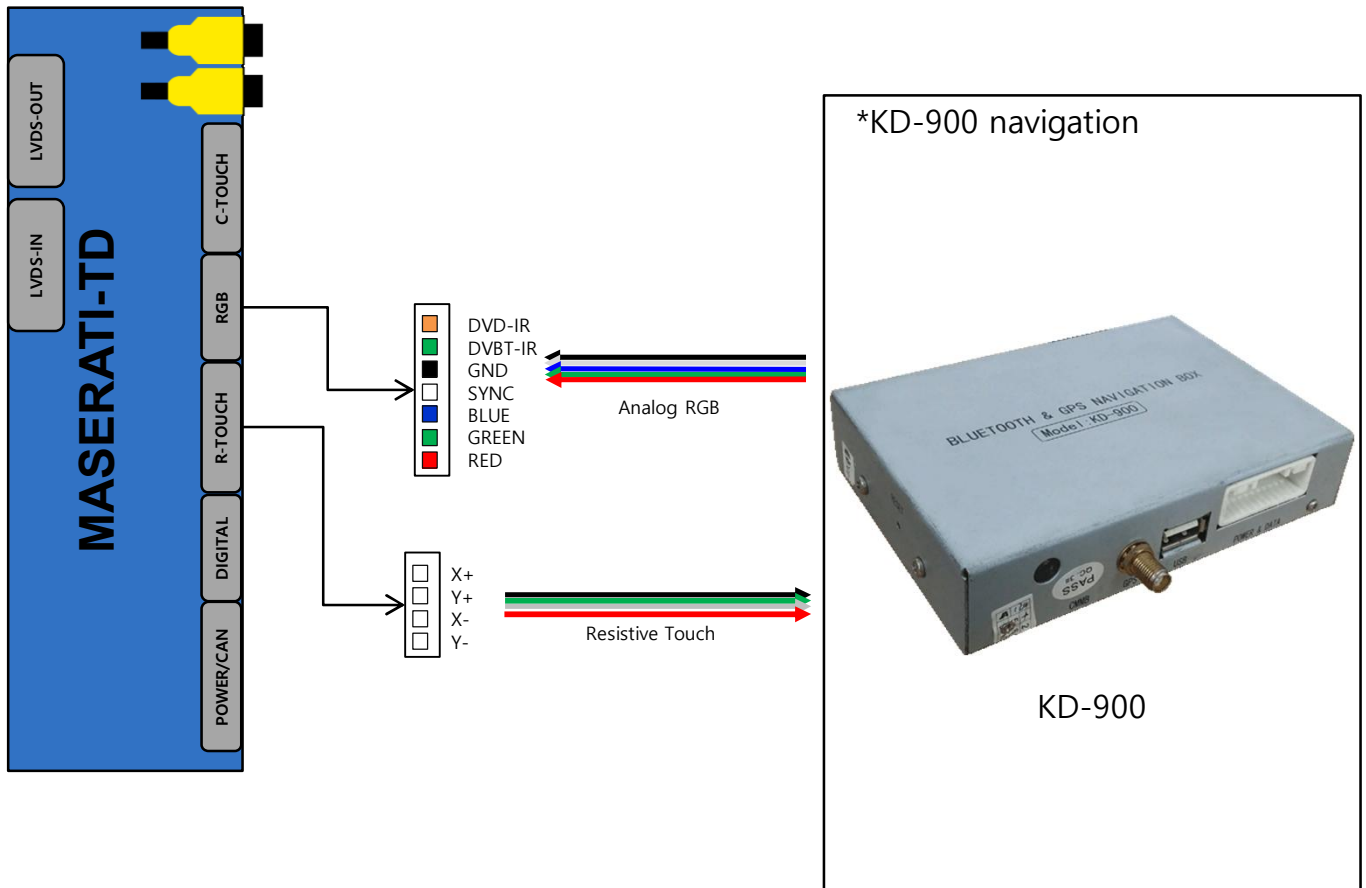
Last Source : FDSYOOKRX-180209



MENU	Utility	NAVI
OSD	Factory Reset	Execute Cancel
IR-Ctrl	Version	FDSYOOKRX-180209
Utility		

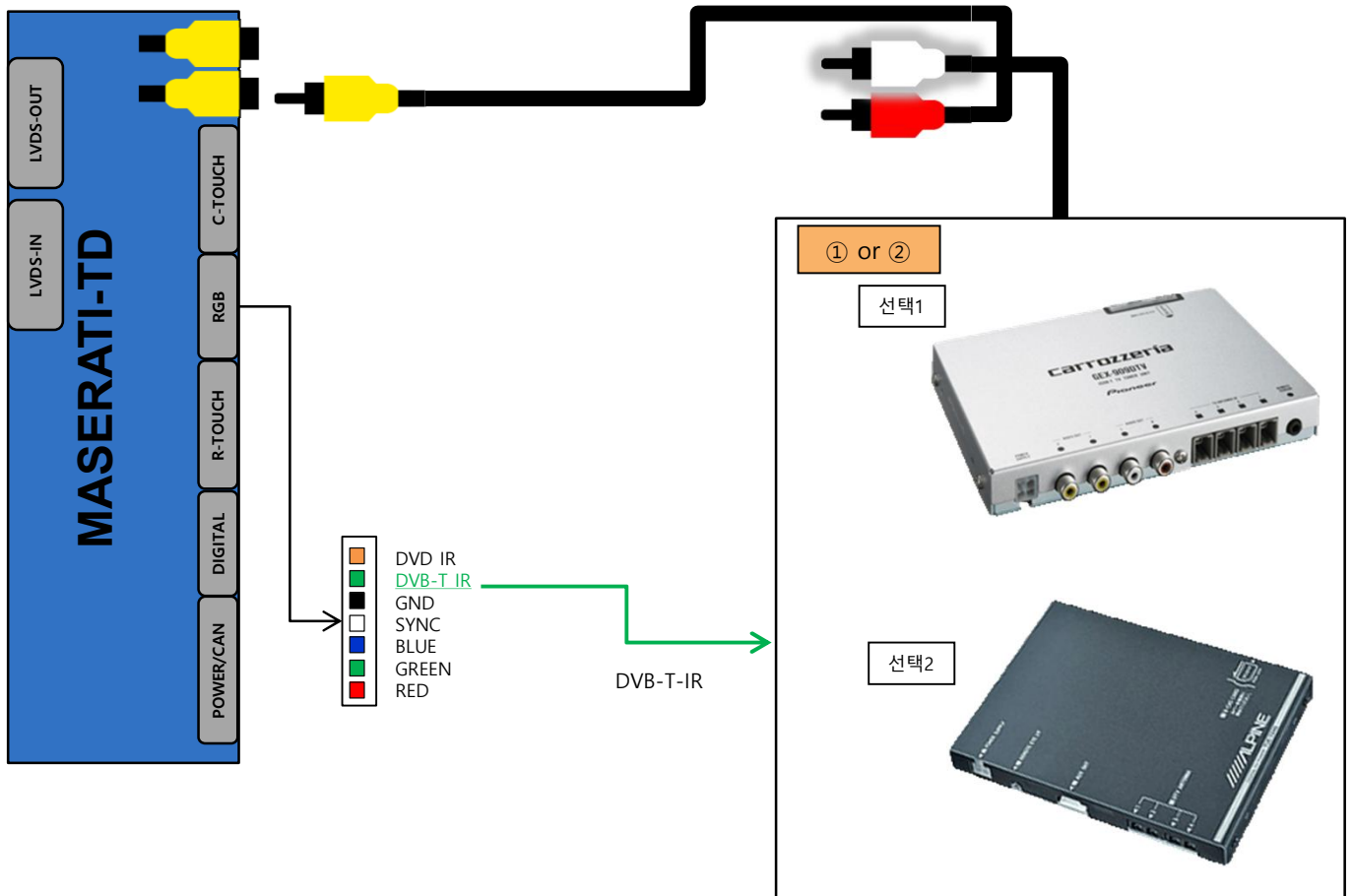
11. Install Manual

1. Installation Navigation Connection



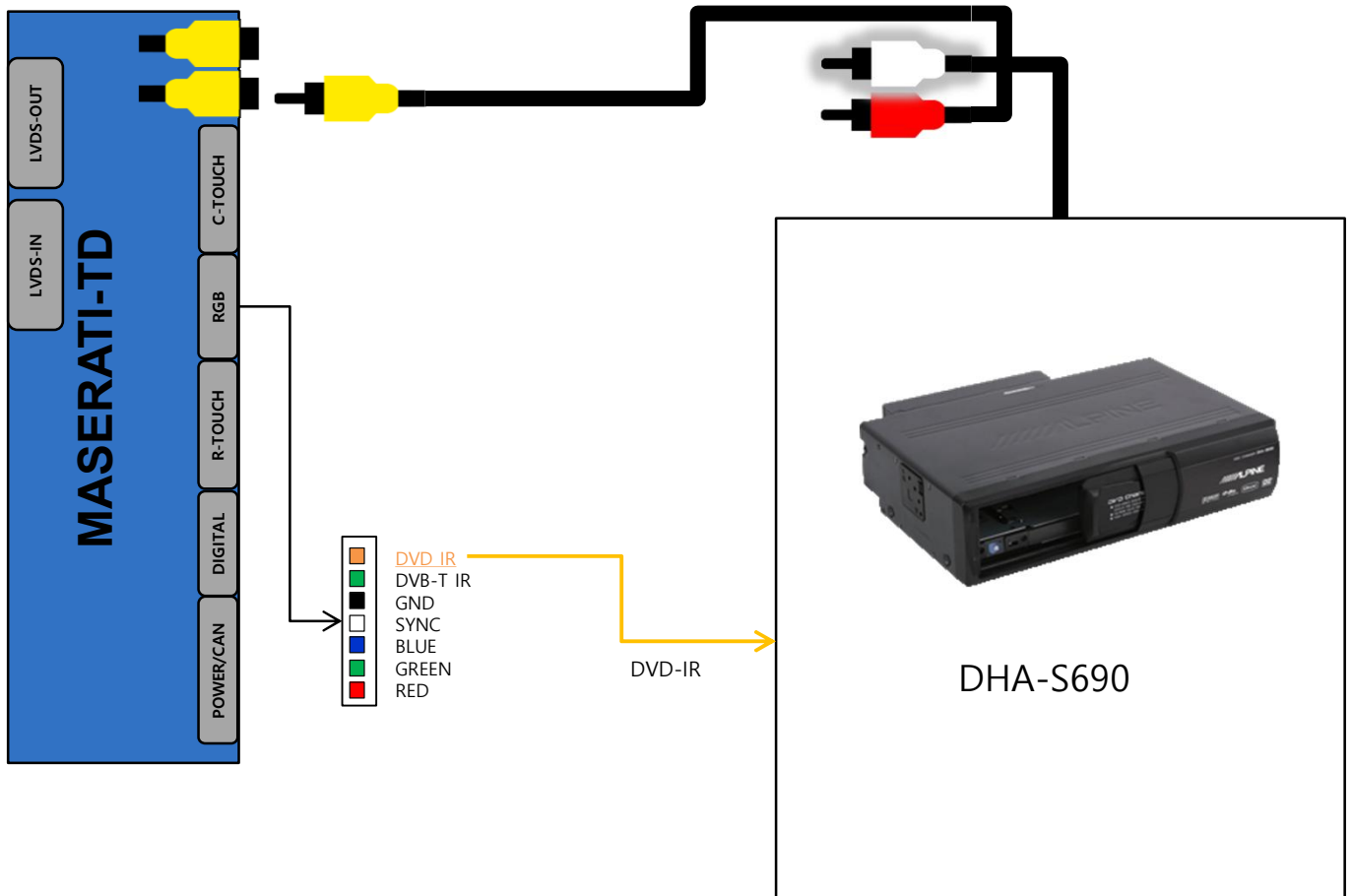
11. Install Manual

2. Installation DVB-T Remote Control Connection



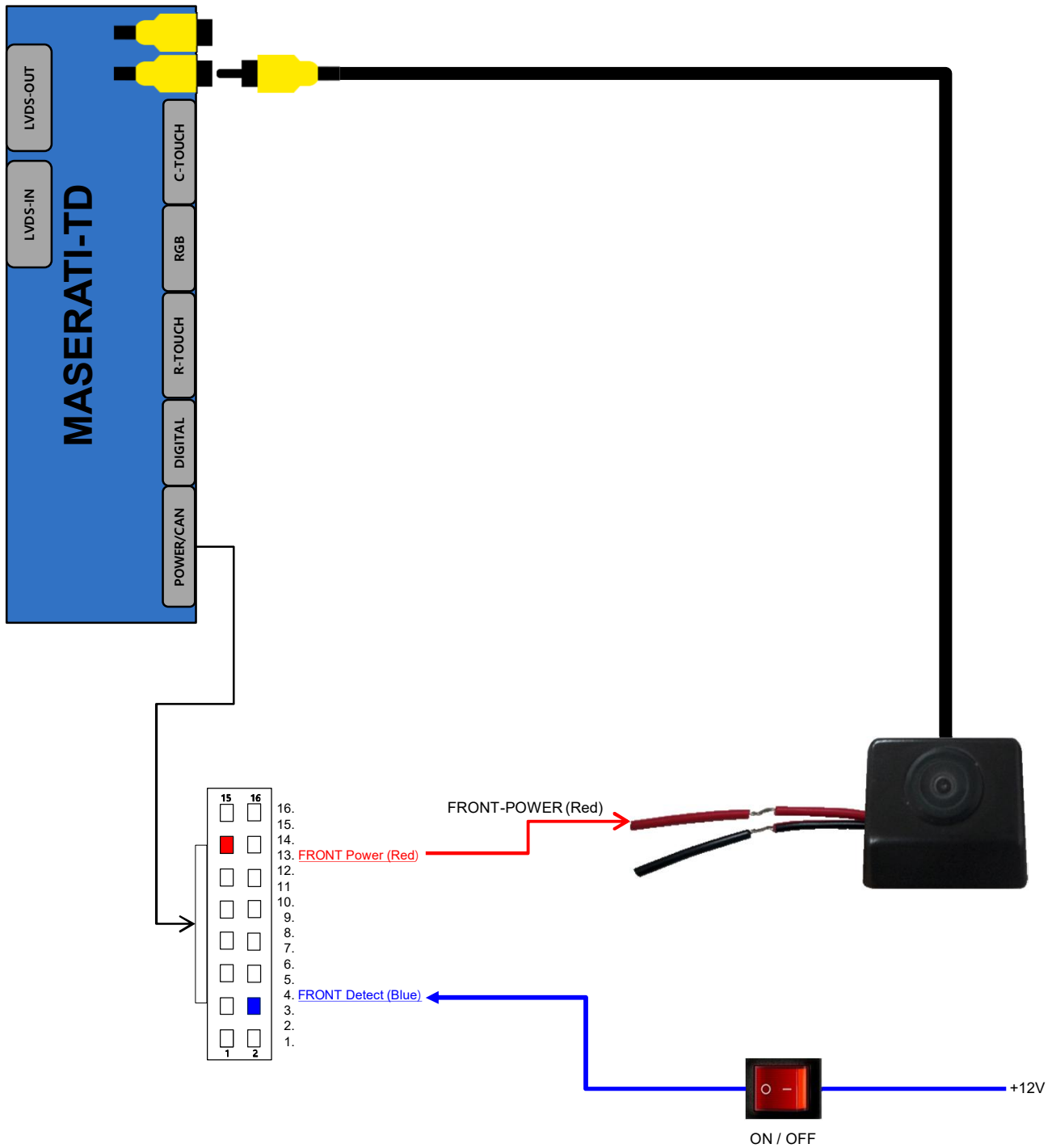
11. Install Manual

3. Installation DVD Remote Control Connection



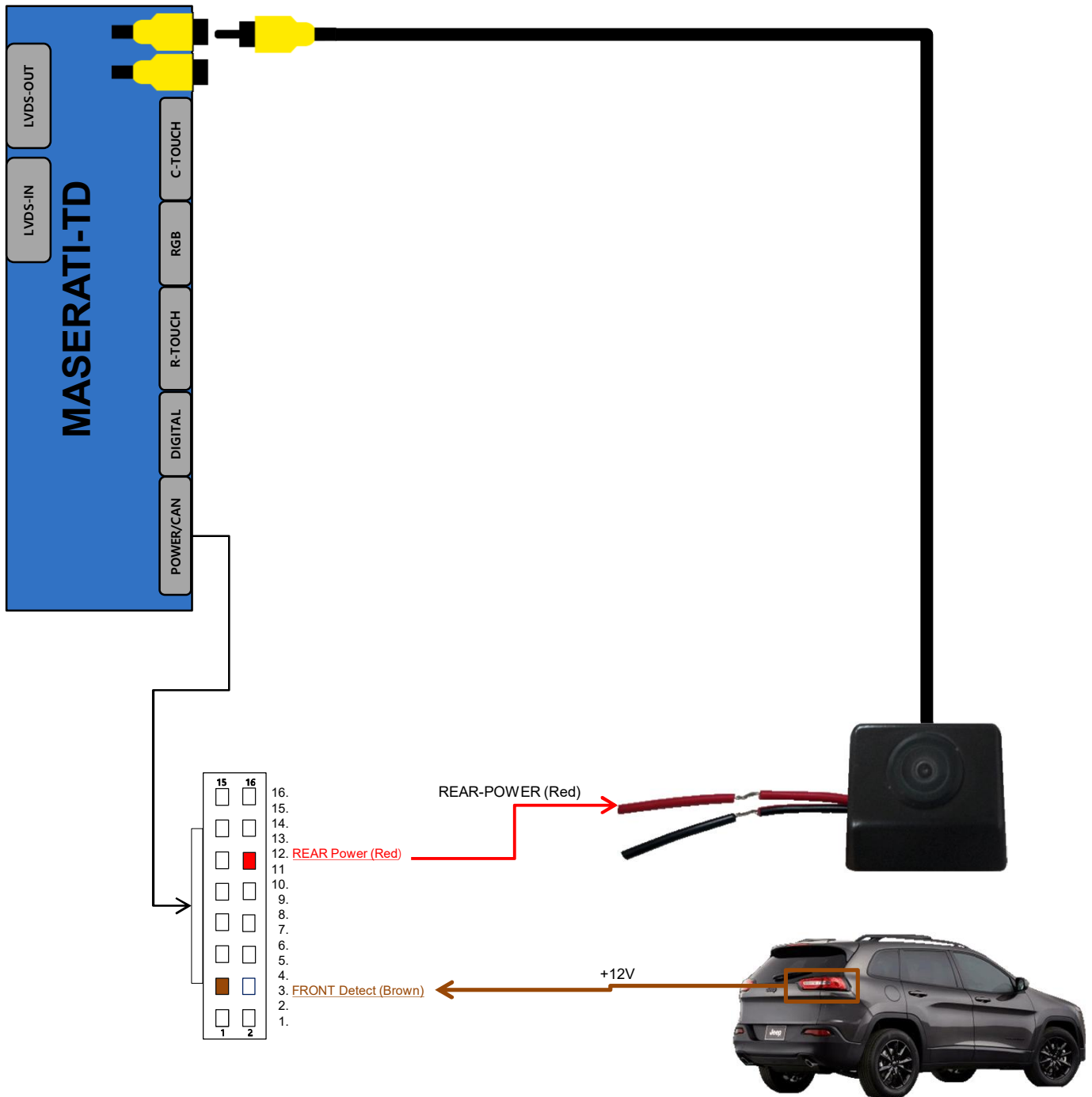
11. Install Manual

4. Installation External Front Camera Connection



11. Install Manual

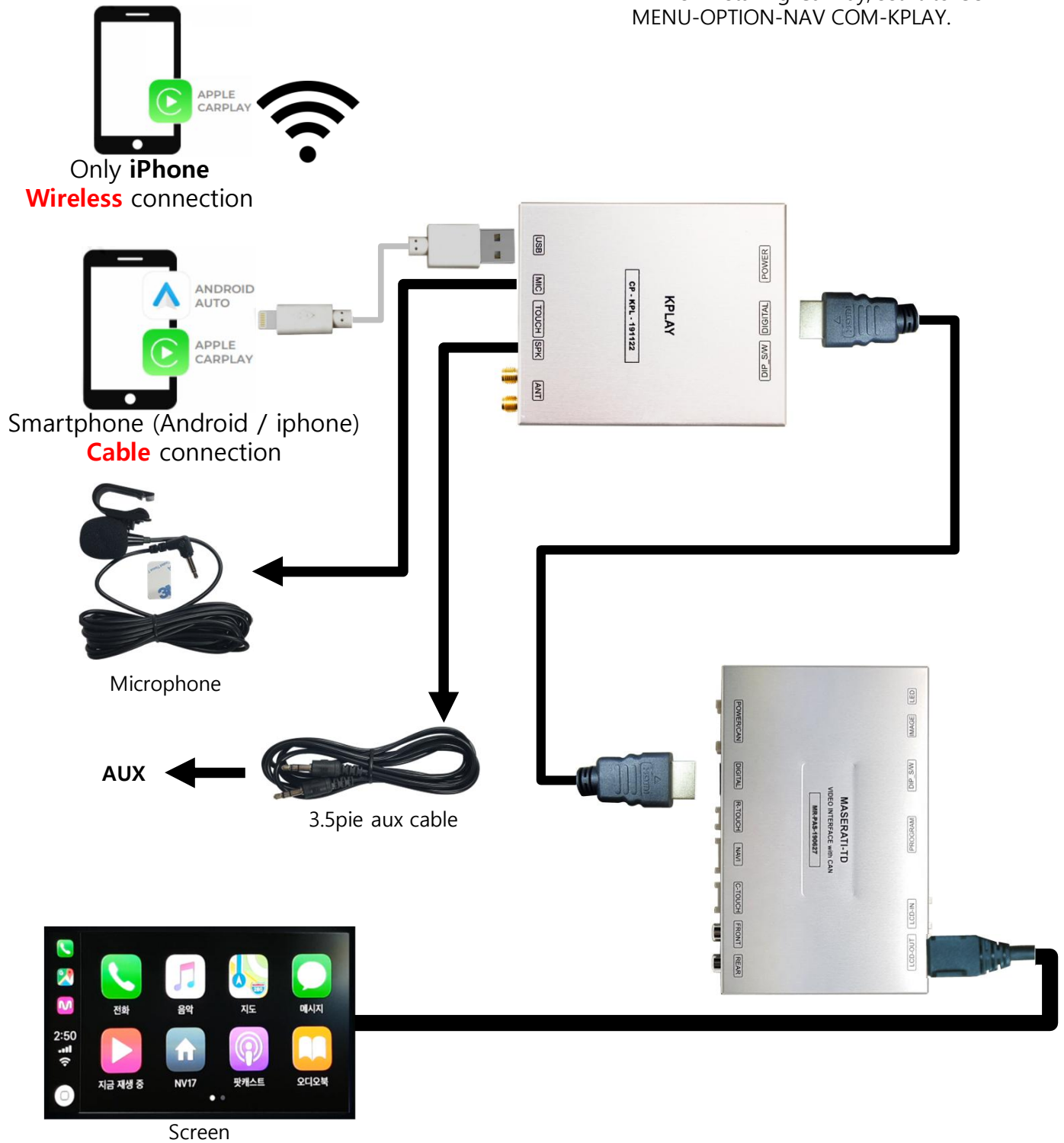
5. Installation External Reverse(Rear) Camera Connection



11. Install Manual

6. Installation CarPlay - KPLAY

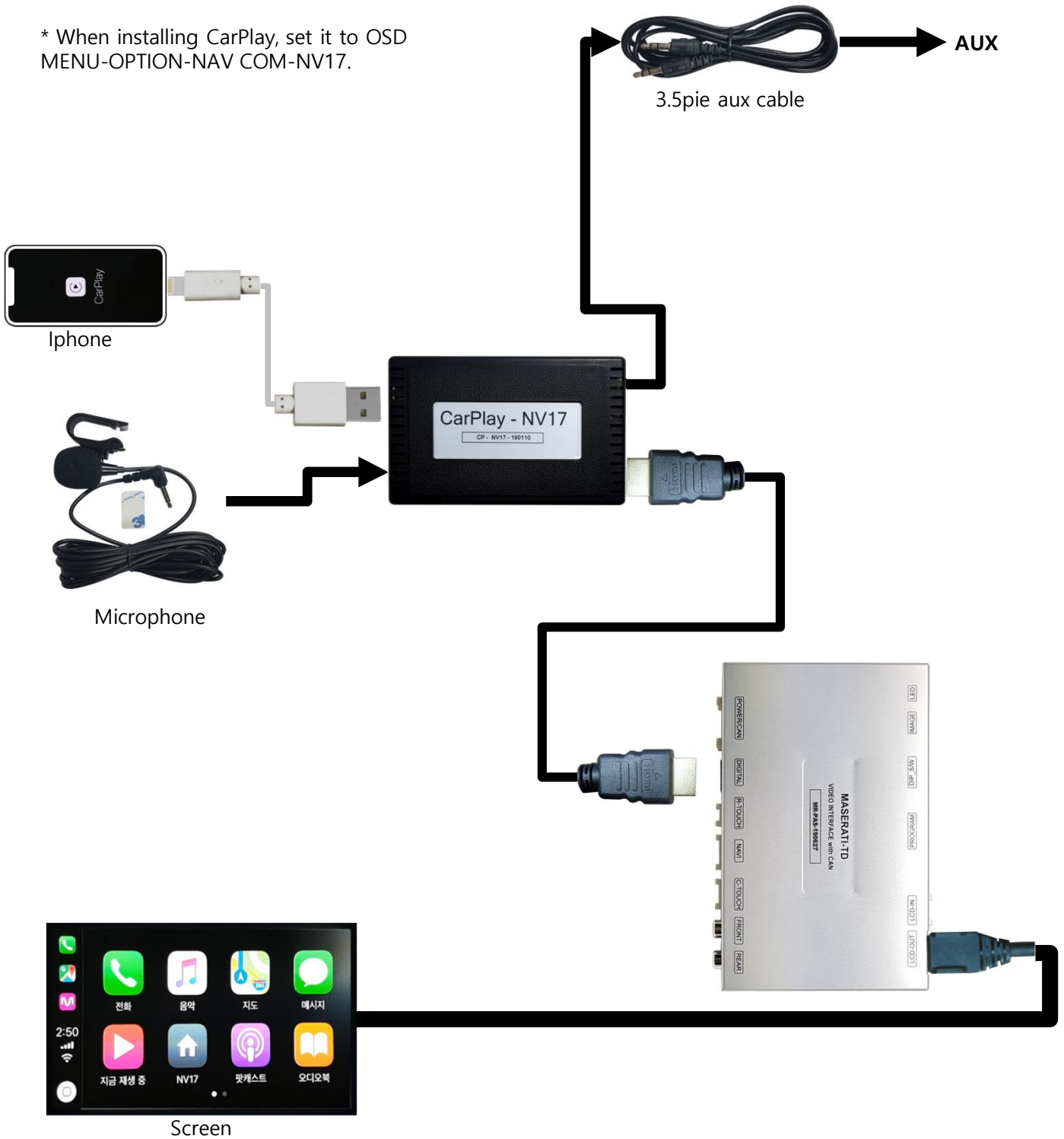
* When installing CarPlay, set it to OSD MENU-OPTION-NAV COM-KPLAY.



11. Install Manual

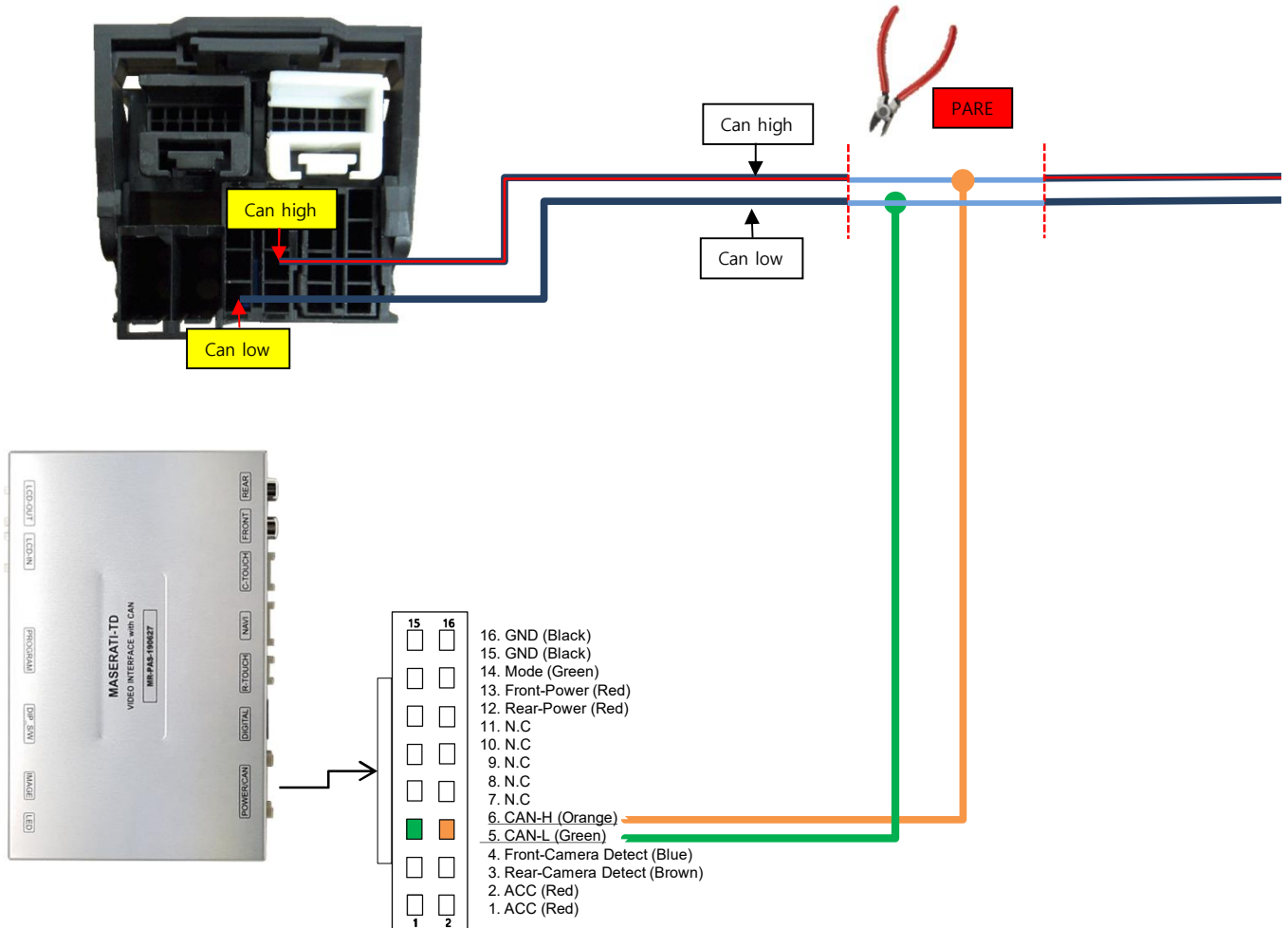
7. Installation CarPlay – NV17

* When installing CarPlay, set it to OSD MENU-OPTION-NAV COM-NV17.



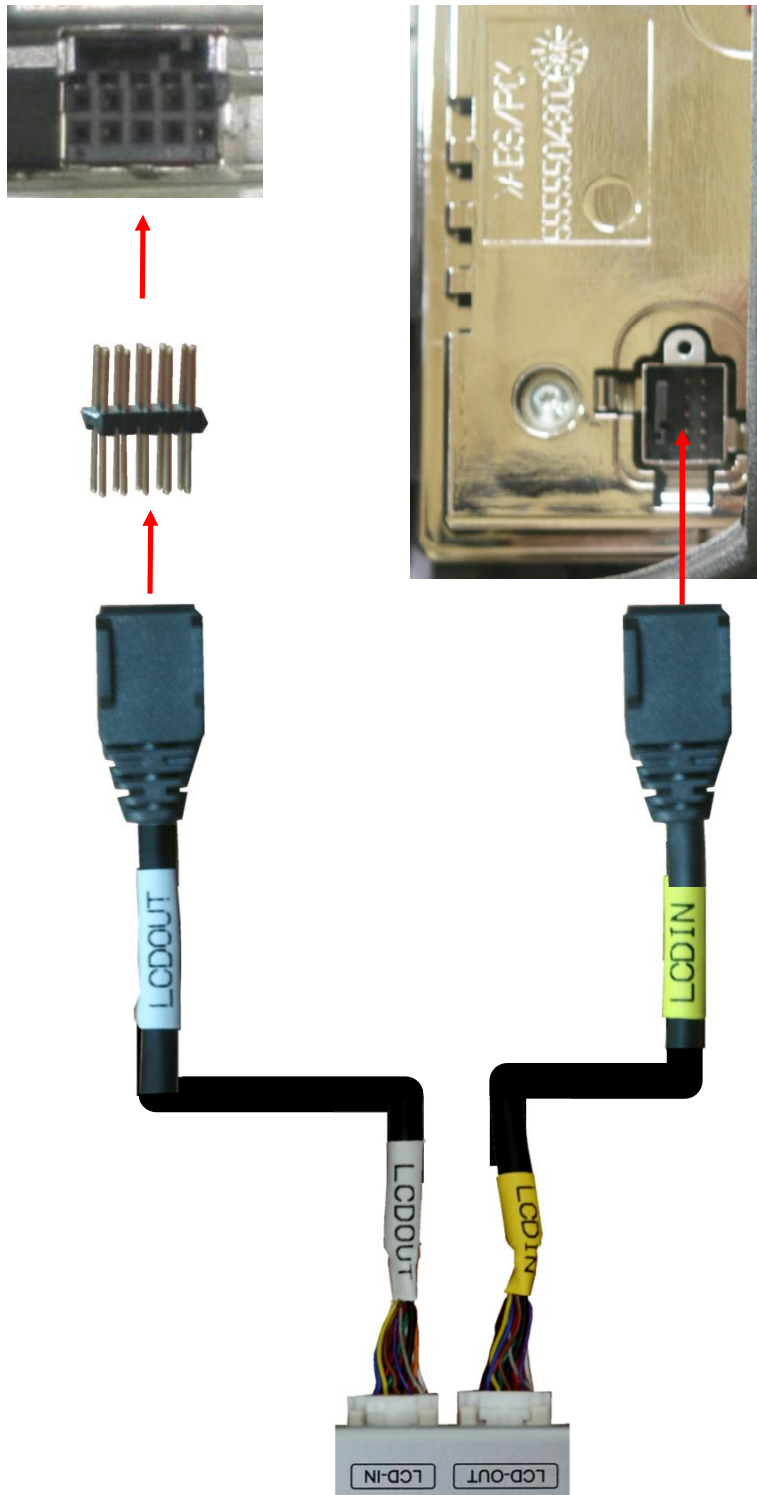
11. Install Manual

8. Installation connection – CAN



11. Install Manual

10. Installation connection – GranTurismo LVDS cable connection



12. Q & A

FAQ

1. Not possible to switch mode
 - Check connection of OSD Key pad wire
 - Check CAN connection
2. Display wrong size of picture
 - Check Dip s/w setting
3. Display black screen in OEM mode
 - Check connection of LVDS/LCD cable
4. Not possible to switch to rear screen
 - Check the packing setting (OSD Menu – option – RearCam-Det)

Caution

1. The device must not be installed in where it interferes driving (close to brake pedal, steering wheel, airbag etc.)
2. LVDS cable must be connected correctly according to the manual
3. Insulate the end of wire by using electrical tape
4. The installation should be done by expert
5. GU electronic does not take any responsibility for any problem caused by wrong installation