

Hyundai Grandeur IG

- MODEL : H/W ver 02

- DATE : 2023.03.16



GU ELECTRONIC

Index

1. Main Spec
2. Block Diagram
3. Dimension
4. External Appearance
5. Connector Pin Assignment
6. Product Composition
7. DIP S/W Setting
8. Mode Change
9. Install Manual
10. Q & A

1. Main Spec.

1. Input Spec. (MULTI VIDEO INTERFACE)

- 1 x Digital RGB Input (Navigation System source)
- 1 x CVBS(REAR CAMERA) Input. (Rear camera source)
- 1 x CVBS(FRONT CAMERA) Input. (Front camera source)
- 1 x LVDS Input. (Car Command System)

2. Output Spec.

- 1 x Vertical Analog Touch (Navigation System source)
- 1 x Uart Digital Touch (Navigation System source)
- 1 x LVDS Output (LCD Operation)
 - 8 inch screen : LVDS color – Black
 - 9.2 inch screen : LVDS color - White

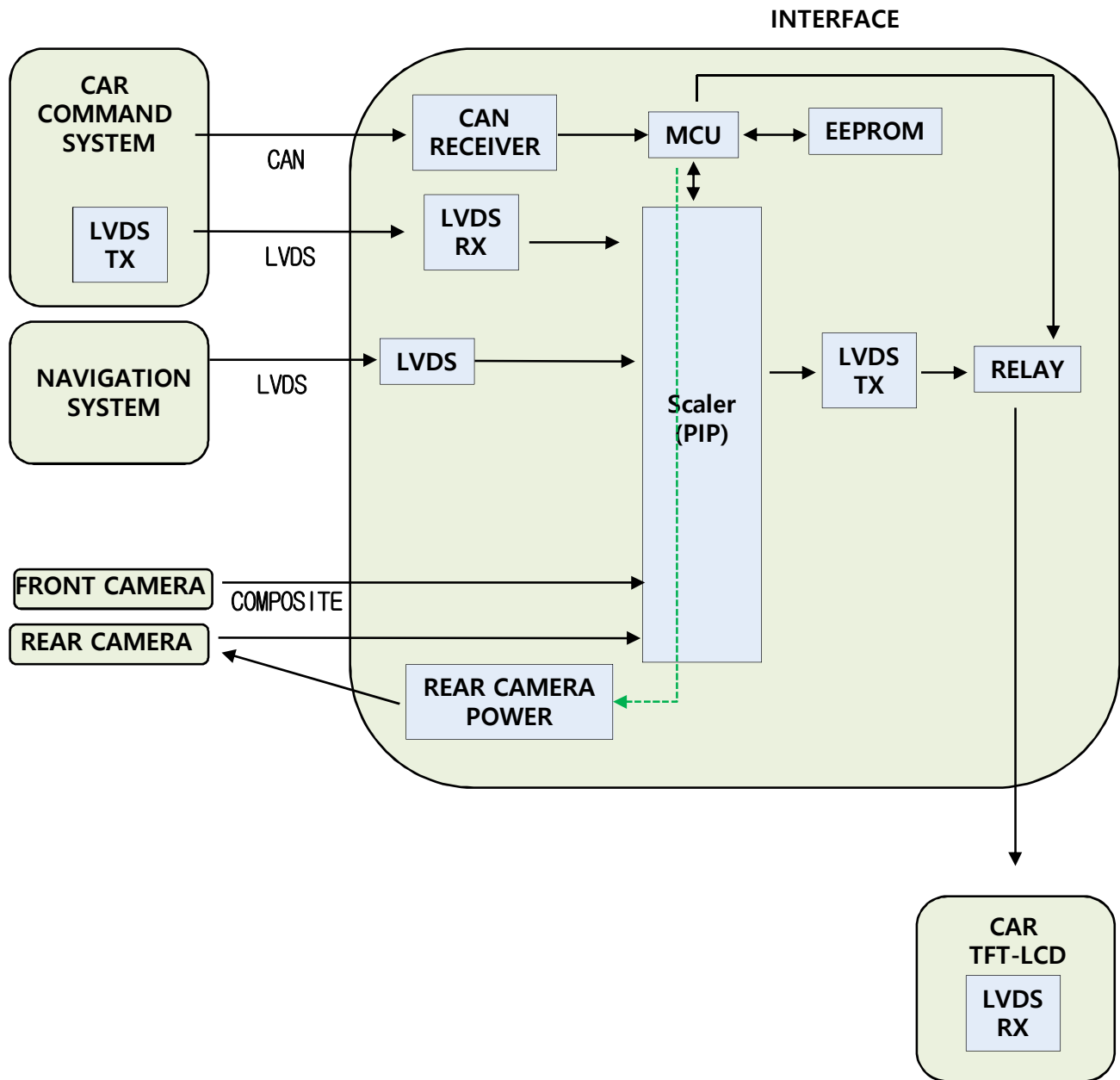
3. Power Spec.

- Input Power : 8VDC ~ 24VDC
- Consumption Power : 12Watt, Max

4. Switch Input mode

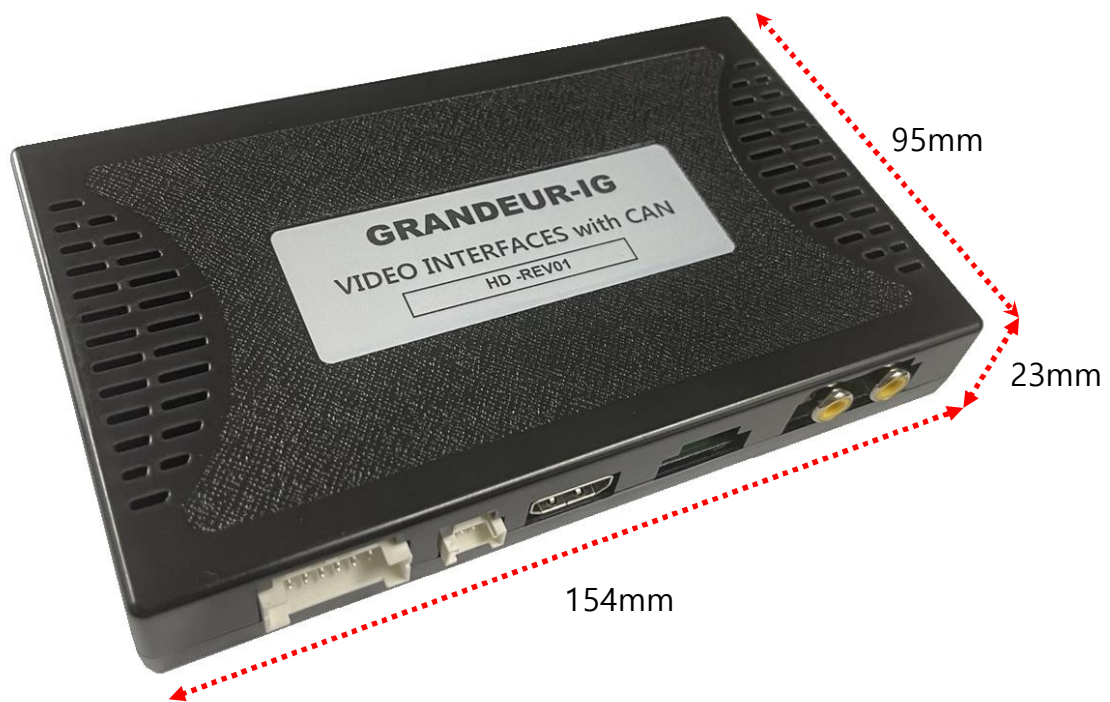
- Possible to select CAR model while switching mode by DIP S/W
- By button on the Commander in the car via CAN

2. Block Diagram



3. Dimension

154mm * 95mm * 23mm

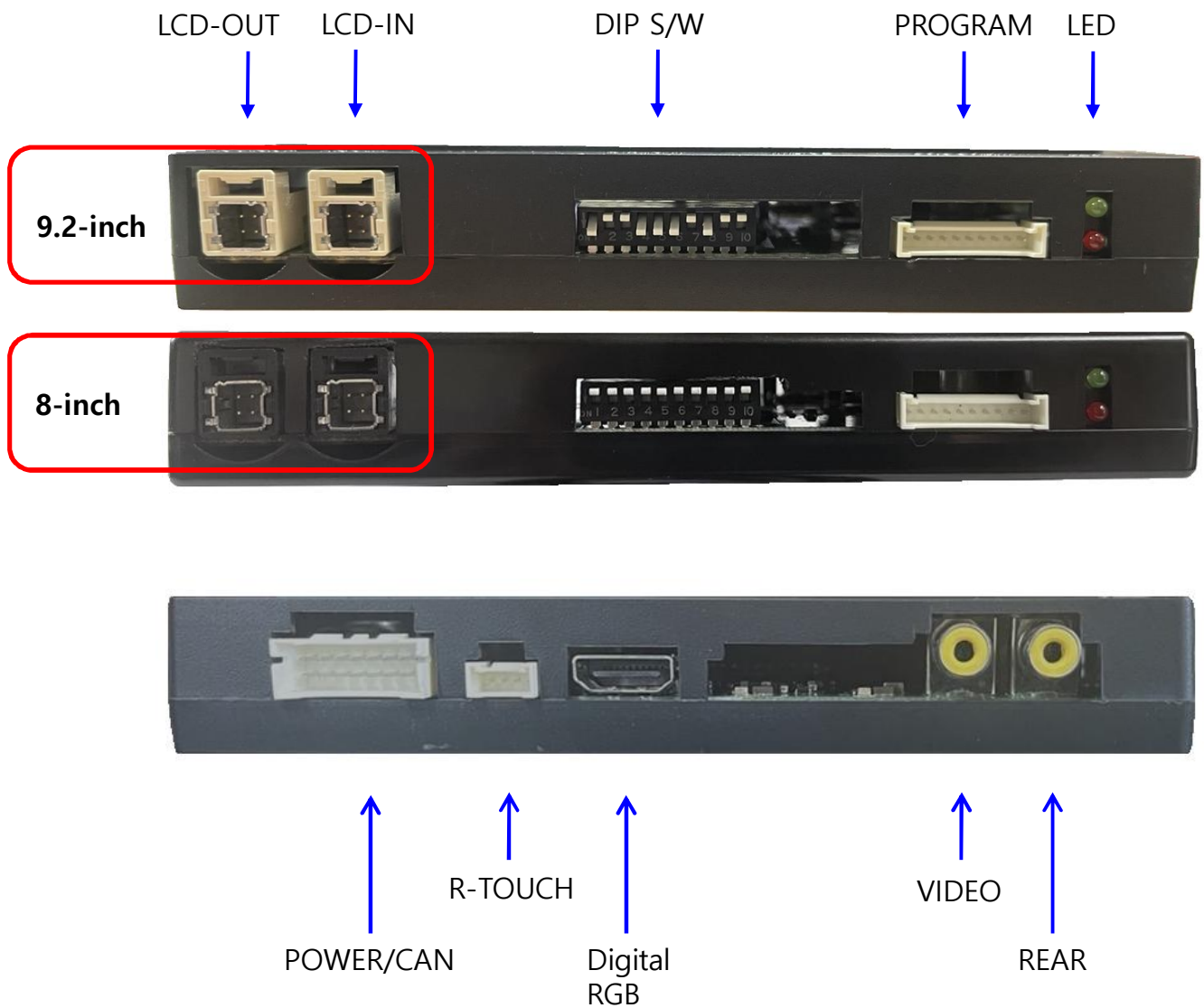


* This can change under manufacturer's circumstance

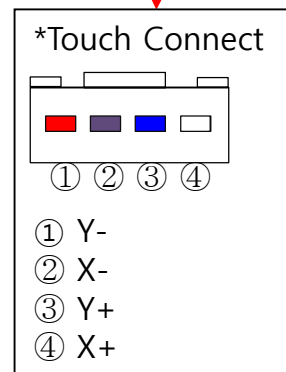
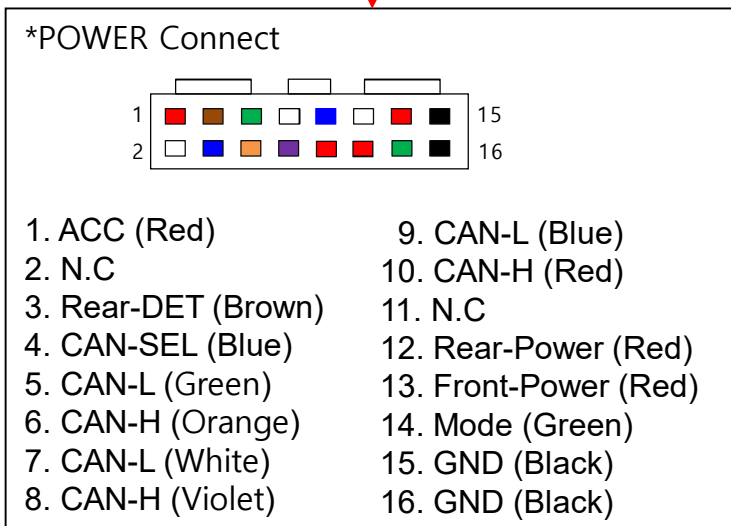
4. External Appearance



4. External Appearance



5. Connector Pin Assignment



- * Output current
- REAR POWER = Max 200mA
 - FRONT POWR = Max 200mA

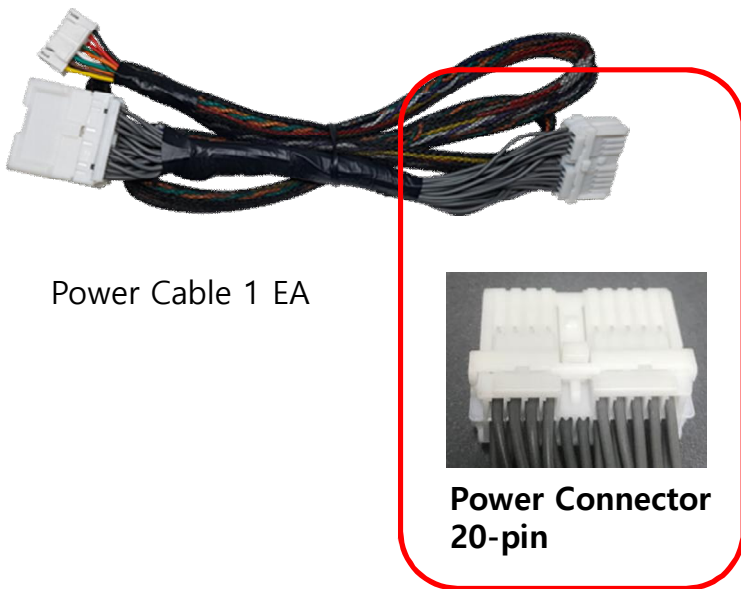
6. Product Composition

G80/G330/G380/DH330

8-inch Option



Interface 1 EA



6. Product Composition

G80/G330/G380/DH330

9.2-inch Option

**LVDS Connector
White**



Interface 1 EA



Power Cable 1 EA



**Power Connector
16-pin**

**LVDS Connector
White**



LVDS Cable 1 EA



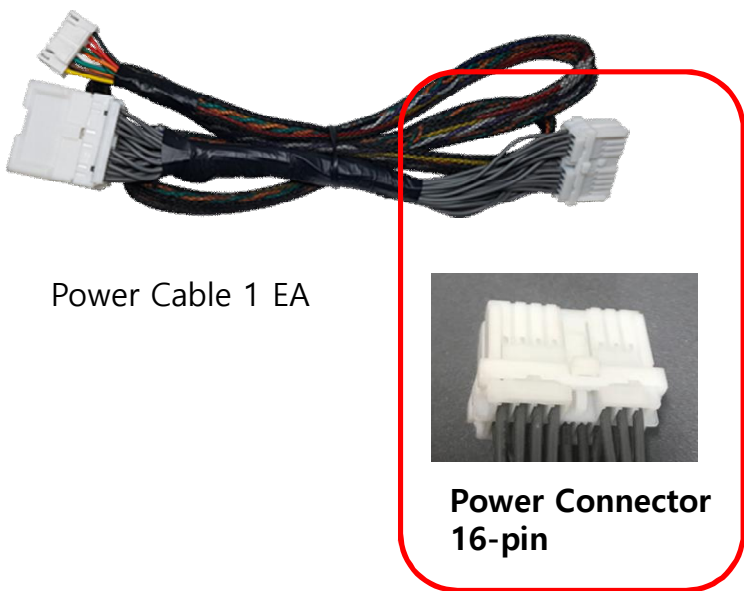
Mode S/W 1 EA

6. Product Composition

K9 9.2-inch Option



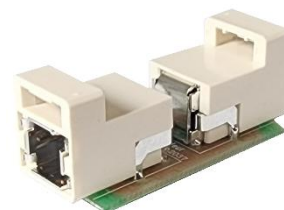
Interface 1 EA



LVDS Cable 2 EA



Mode S/W 1 EA



LVDS Extend 1 EA

7. DIP S/W Setting

* ON : DOWN , OFF : UP

PIN	FUNCTION	DIP S/W Selection
1	NAVI	ON : Not Used OFF : Used
2	VIDEO	ON : Not Used OFF : Used
3	REAR TYPE	ON : OEM OFF : External
4	REAR DETECT	ON : Wire OFF : CAN
5	Navi Model SEL	Down Picture
6		
7		
8	CAR type SEL	Right Picture
9		
10		

* DIP S/W Example



G80/G330/G380/DH330
8" (2014~2018)



K7
8" (2016~2019.09)



STINGAR
7" (2014~2016)



GRANDEUR-HG
8" (2014~2016)



GRANDEUR-IG
8" (2016~2019.10)



G80/G330/G380/DH330 9.2" (2014~2018)
K9 9.2" (2015~2018)



OEM FRONT CAMERA OPTION
G80/G330/G380/DH330 9.2" (2014~2018)
K9 9.2" (2015~2018)



AVM(SVM)-HDMI



M2C/FINE



GU/ROIK-10



QROI



GU Electronic

8. Mode Change

Mode Change Button

DH330



Carplay Track UP/DOWN

mode change(3 second)

8. Mode Change

Mode Change Button

GENESIS



mode change(1 second)

8. Mode Change

Mode Change Button

K9

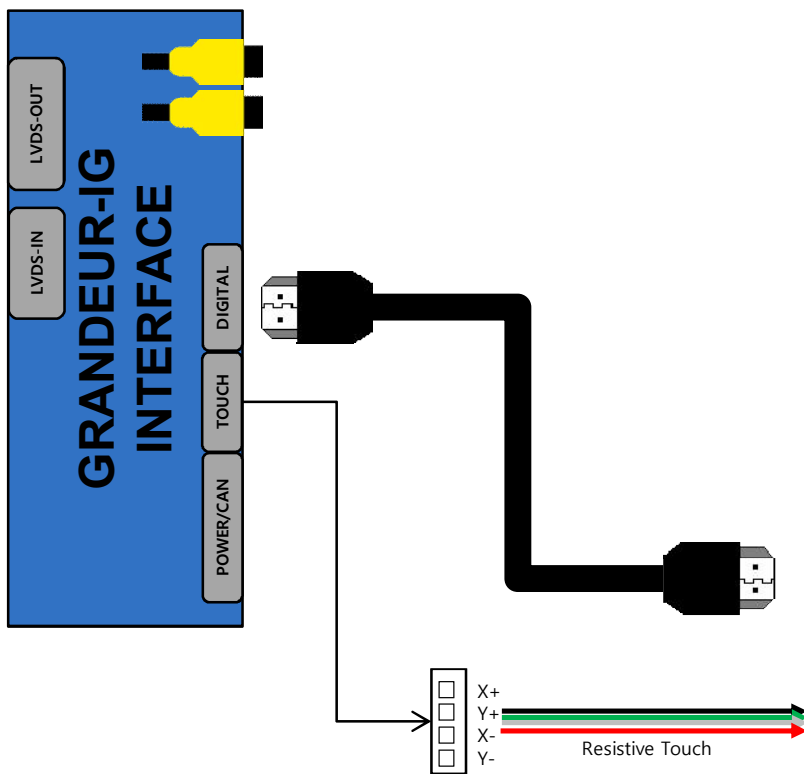


SVM change

mode change(1 second)

9. Install Manual

1. Installation Navigation Connection



*Analog RGBsync navigation

Analog RGB model is not supported.

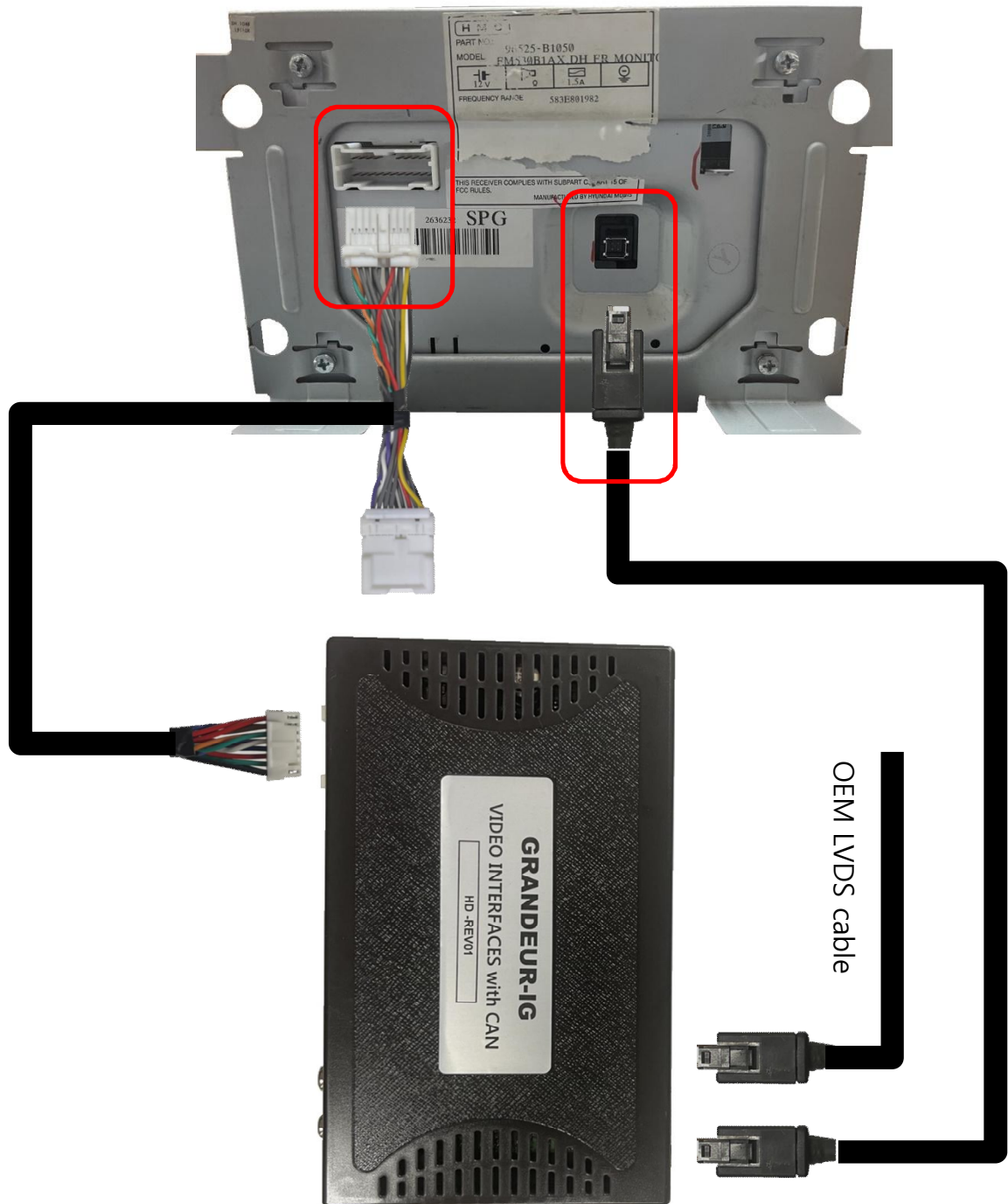
*Digital navigation



Roik, Qroi

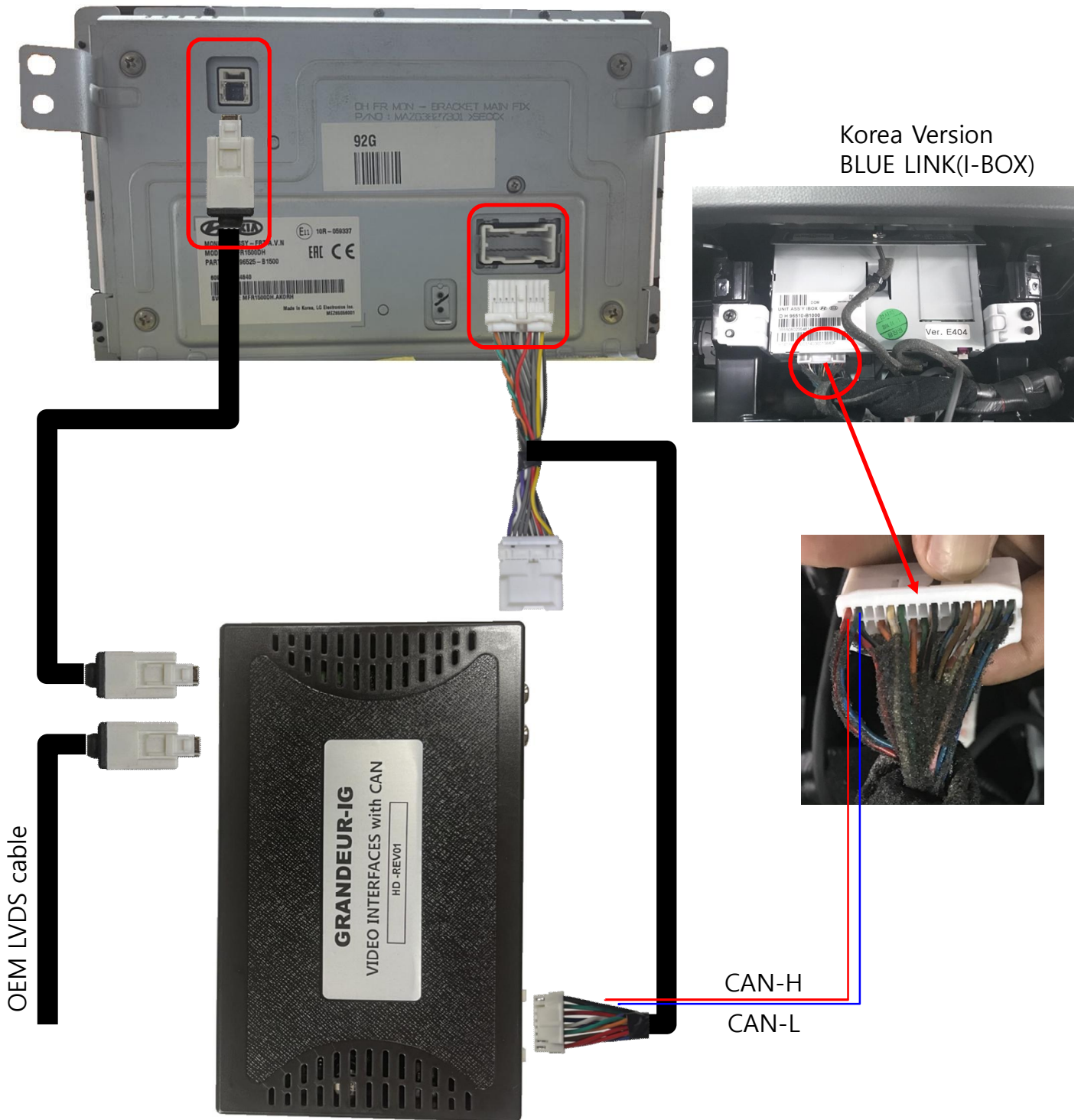
9. Install Manual

2. Installation Genesis 8-inch LVDS



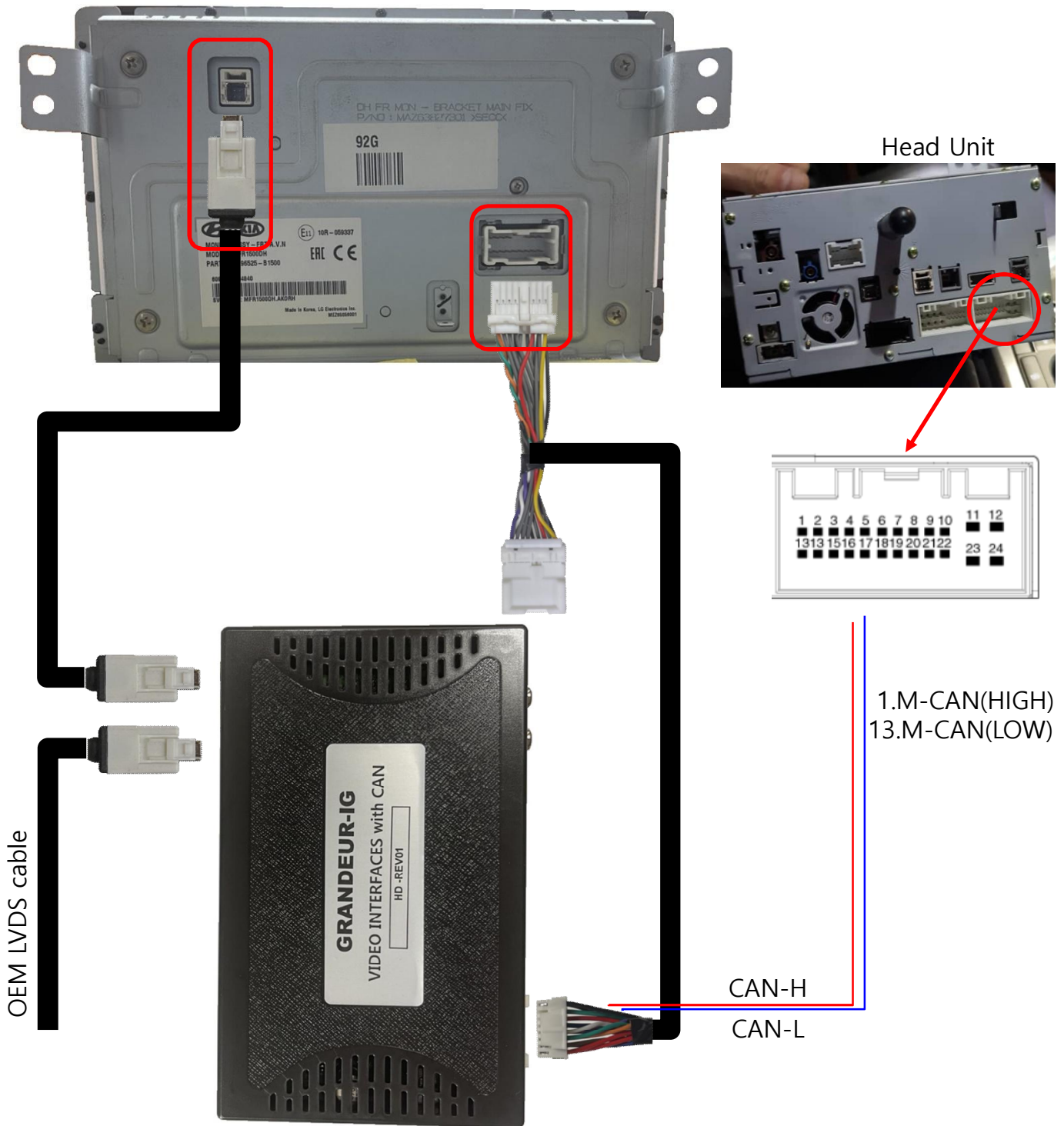
9. Install Manual

3. Installation Genesis 9.2-inch LVDS



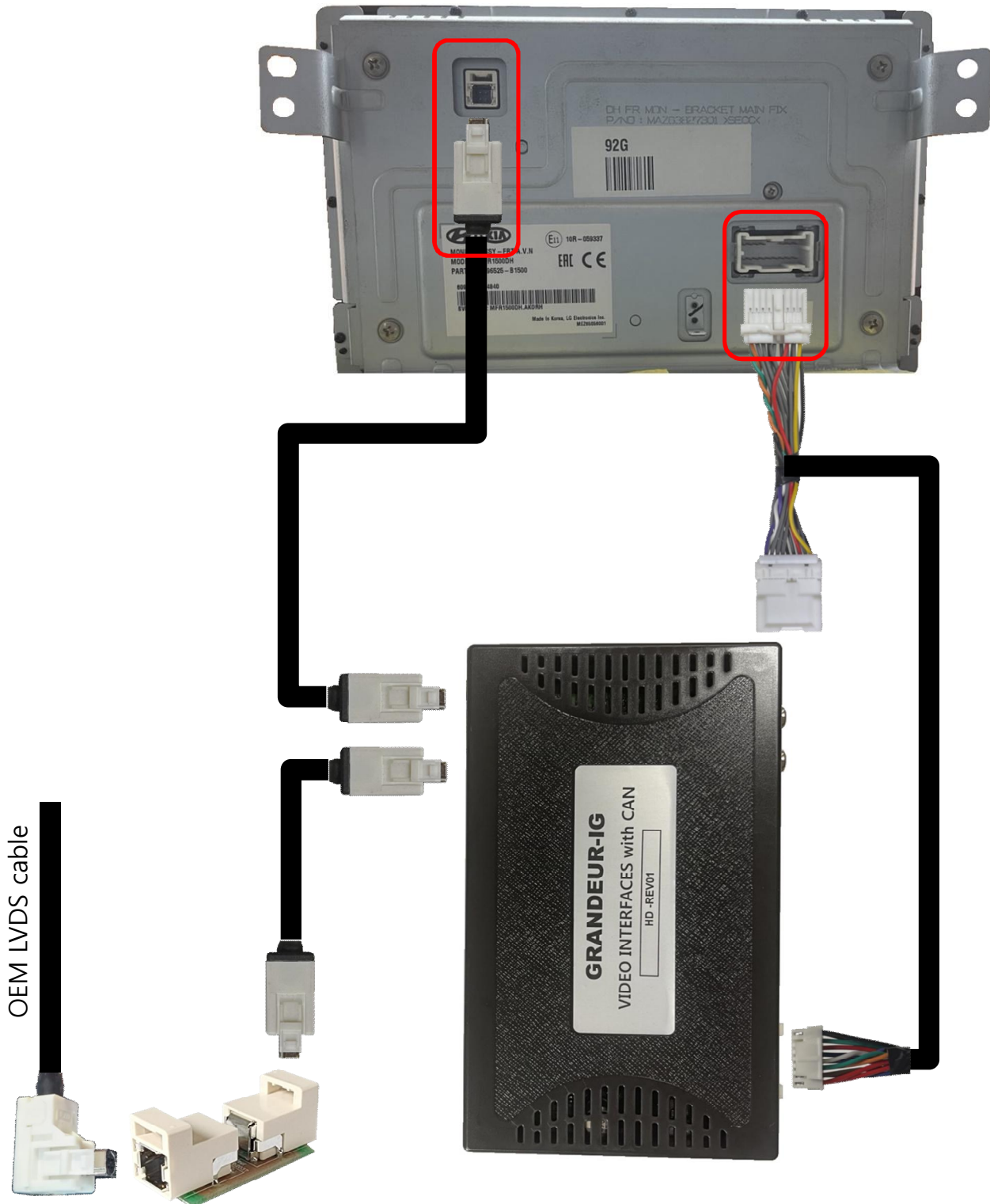
9. Install Manual

4. Installation Genesis 9.2-inch LVDS (Dubai version)



9. Install Manual

4. Installation K9 9.2-inch LVDS



9. Install Manual

5. Installation Navigation Qroi-X



* Qroi-X -> Device Settings -> Interface

GU

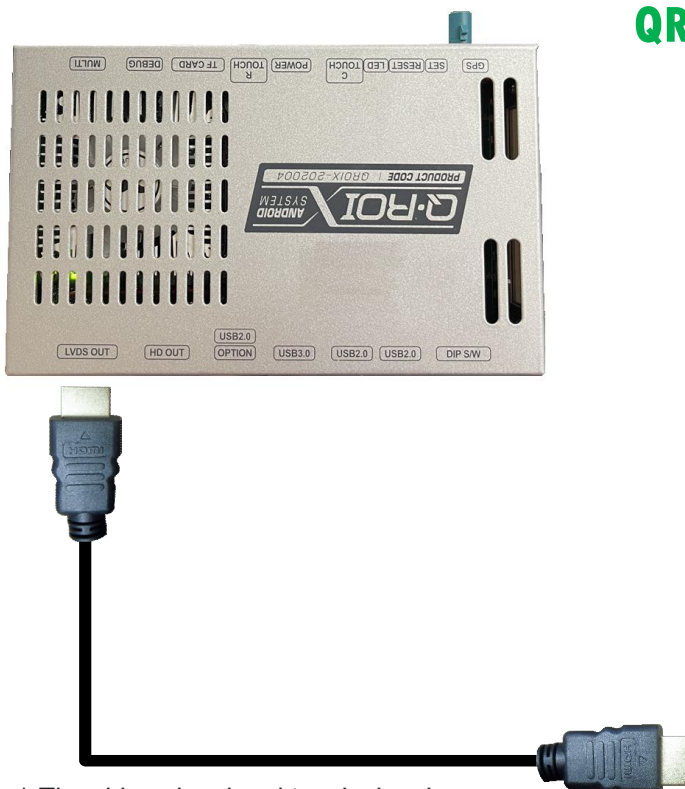


GU/ROIK-10

QROI



QROI



* The video signal and touch signal are included in the HDMI cable



10. Q & A

FAQ

1. Not possible to switch mode
 - Check connection of OSD Key pad wire
 - Check CAN connection
2. Display wrong size of picture
 - Check Dip s/w setting
3. Display black screen in OEM mode
 - Check connection of LVDS/LCD cable
4. Not possible to switch to rear screen
 - Check the packing setting (OSD Menu – option – RearCam-Det)

Caution

1. The device must not be installed in where it interferes driving (close to brake pedal, steering wheel, airbag etc.)
2. LVDS cable must be connected correctly according to the manual
3. Insulate the end of wire by using electrical tape
4. The installation should be done by expert
5. GU electronic does not take any responsibility for any problem caused by wrong installation